

SPECIFICATIONS

Power Output: 150 watts per channel, min. RMS, at 8 ohms, both channels driven, from 20Hz to 20kHz, with no more than 0.09% THD

Total Harmonic Distortion: 0.09% at 150 watts

IM Distortion: 0.09% at 150 watts

Damping Factor: 40 at 8 ohms

Frequency Response: 5 - 100KHz \pm 1dB

Sensitivity and Impedance: 1V/50kohms

Signal to Noise Ratio: 100dB (IHFA-202 1 watt output)

General

Power Supply: AC120V, 60Hz

Dimensions (W x H x D): 435 x 158 x 286mm
17-1/8" x 6-3/16" x 11-1/4"

Weight: 9.1kg, 20.1 lbs.

Remote Control Transmitter RC-117S

Transmitter: Infrared

Signal range: Approx. 5 meters, 16 ft

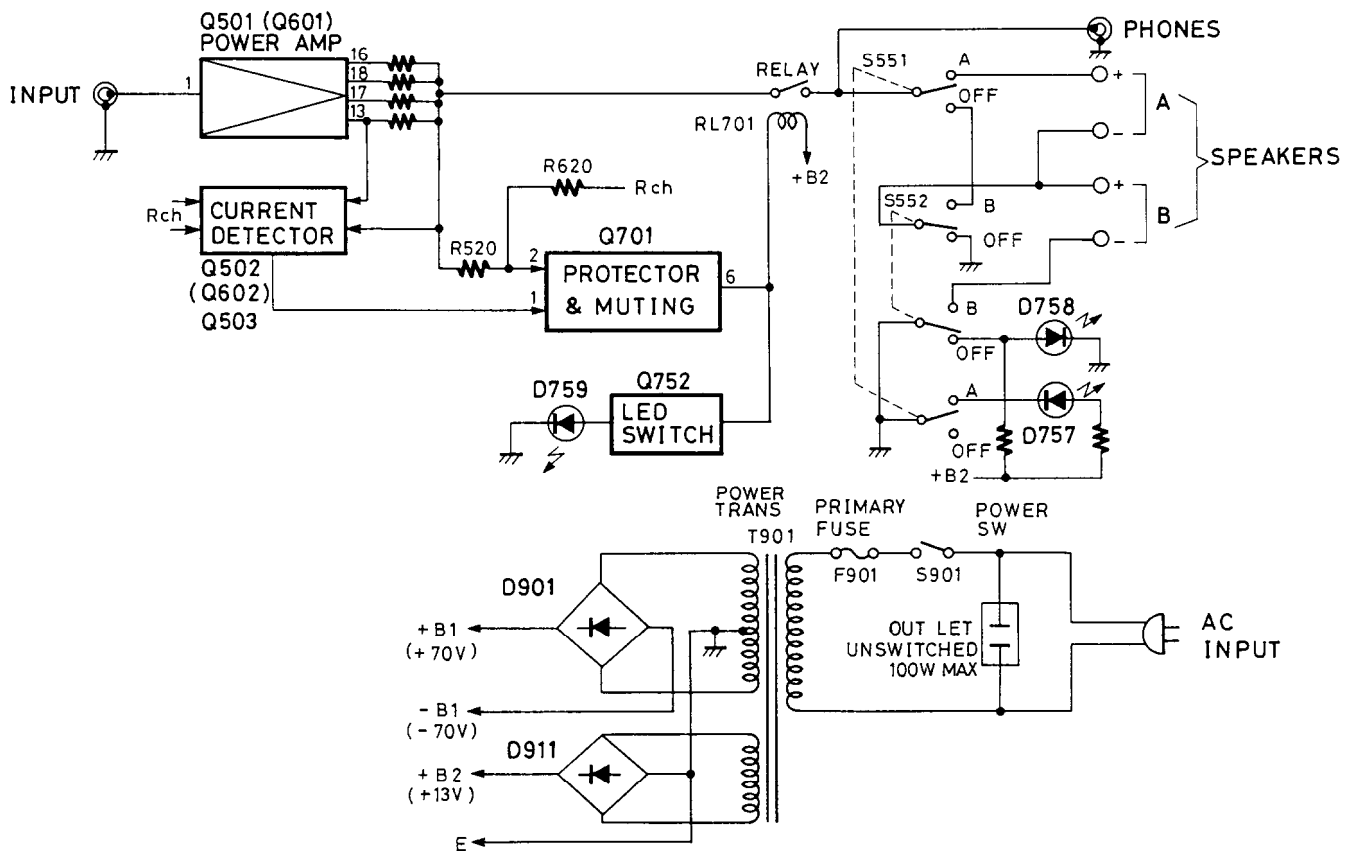
Power supply: Two "AA" batteries (1.5V x 2)

Dimensions (W x H x D): 64 x 18 x 149mm
2-1/2" x 11/16" x 5-7/8"

Weight: 110 grams, 3.9 oz. (including batteries)

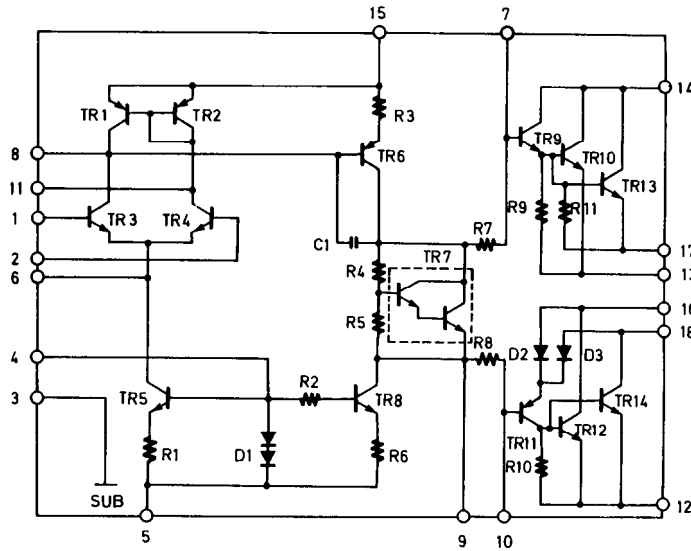
Specifications and features are subject to change without notice.

BLOCK DIAGRAM

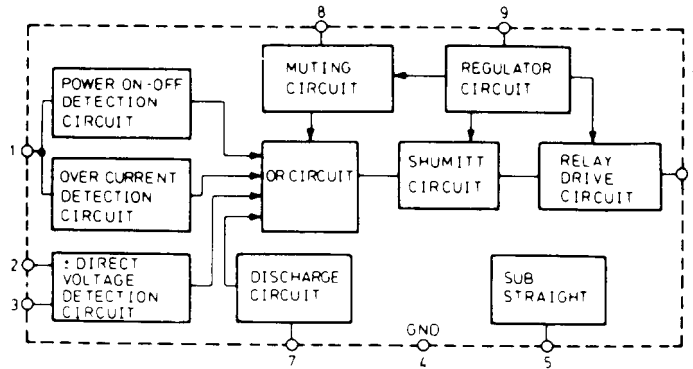


IC BLOCK DIAGRAM

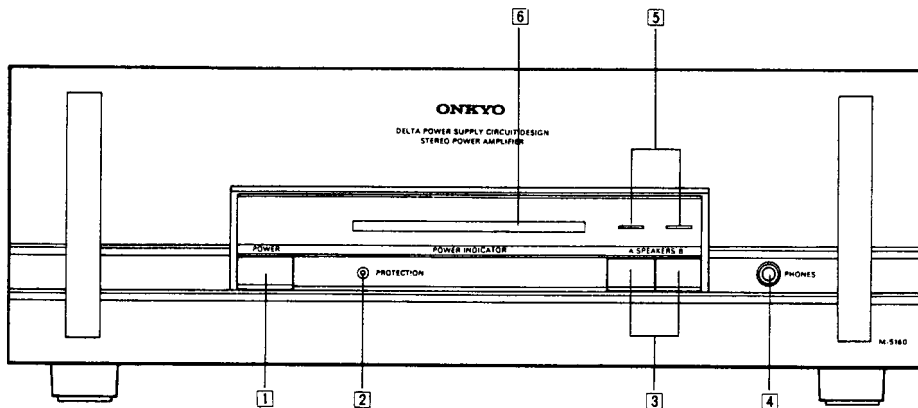
STK4048V (Power Amp.)



TA7317P (Protective Circuit)



FRONT PANEL FACILITIES



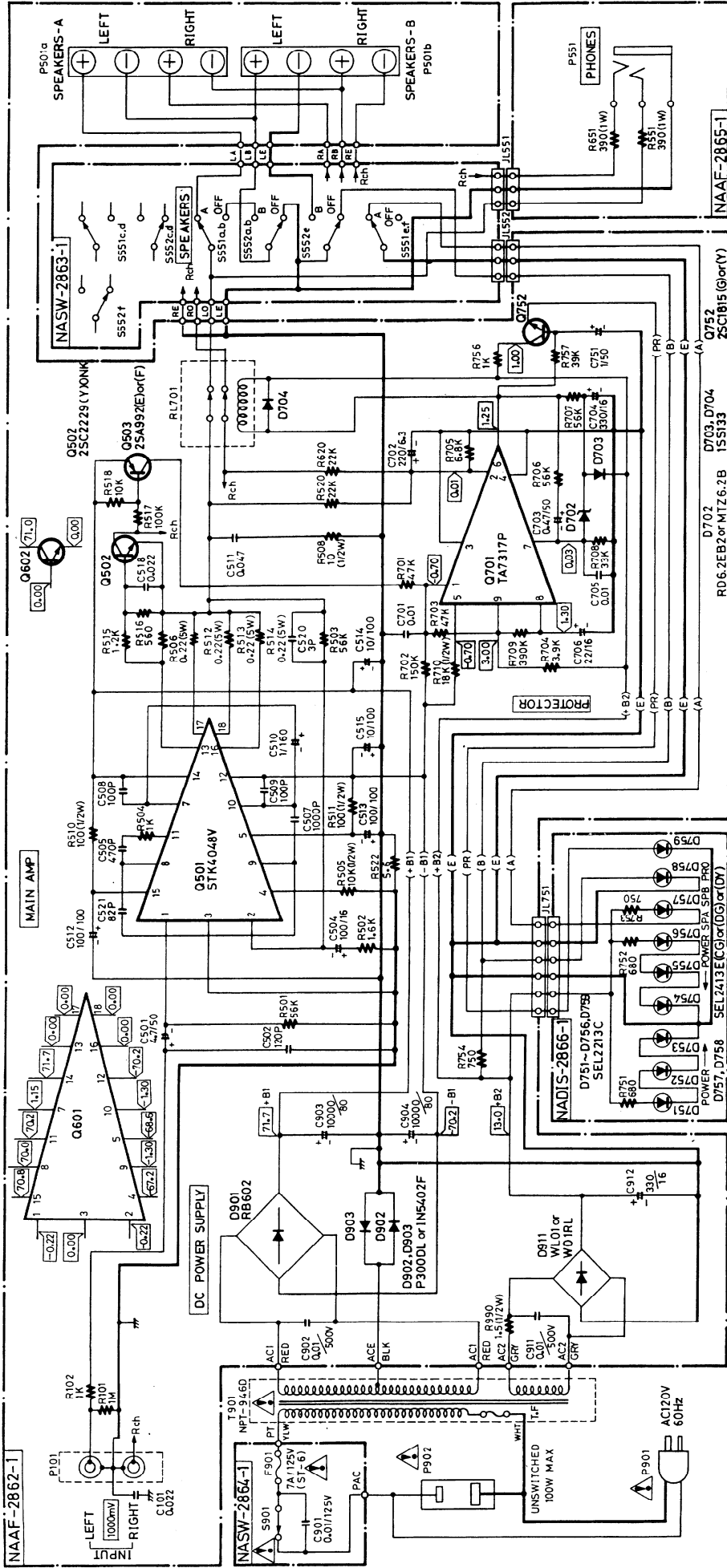
1. Power Switch (POWER)
2. Protection Indicator (PROTECTION)
3. Speaker Selector (SPEAKERS)

NOTE: In the "A+B" mode, the speakers are connected in series.

If only one pair of speakers is connected to the M-5160, no sound will be heard in this setting.

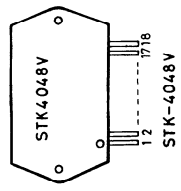
4. Headphone Jack (PHONES)
5. Speaker Indicator
6. Power Indicator (POWER INDICATOR)

SCHEMATIC DIAGRAM



NO	FUNCTION	POSITION
S901	POWER	OFF ON
S551	SPEAKERS A	OFF A
S552	SPEAKERS B	OFF B

E C B
25C1815
25C2229
25A992



- NOTES
- ALL RESISTORS ARE IN OHMS 1/4WATTS or 1/6WATTS UNLESS OTHERWISE NOTED.
 - ALL CAPACITORS ARE IN μ F/50WV UNLESS OTHERWISE NOTED.
 - ELECTROLYTIC CAPACITORS (-E) ARE IN μ F/W.
 - ALL DIODES ARE 1SS133 UNLESS OTHERWISE NOTED.
 - VOLTAGE (MEASURED WITH V.T.V.-M) IS DC VOLTAGE. (NO INPUT SIGNAL)
 - THE COMPONENTS IDENTIFIED BY MARK Δ ARE CRITICAL FOR SAFETY. REPLACE ONLY WITH PART NUMBER SPECIFIED.
 - CIRCUIT IS SUBJECT TO CHANGE FOR IMPROVEMENT.

PRINTED CIRCUIT BOARD PARTS LIST

POWER AMP. CIRCUIT PC BOARD (NAAF-2862-1)-PARTS LIST

CIRCUIT NO.	PART NO.	DESCRIPTION
ICs		
Q501, Q601	222059	STK4048V
Q701	222584	TA7317P
Transistors		
Q502, Q602	2211639	2SC2229Y (ONK)
Q503	2211792 or 2211793	2SA992E or 2SA992F
Q752	2211255 or 2211254	2SC1815GR or 2SC1815Y
Diodes		
D702	2239492 or 2243162	RD6.2EB2 or MTZ6.2B
D703, D704	223163	1SS133
D901	223898F	RB602
D902, D903	223897F or 2238003F	P300DL or 1N5402F
D911	223862 or 223890	WL01 or W01RL
Capacitors		
C501, C601	3500093	4.7 μ F, 50V, Elect.
C504, C604	354741019	100 μ F, 16V, Elect.
C510, C610	354700109	1 μ F, 160V, Elect.
C511, C611	371124734	0.047 μ F, 50V, Mylar
C512, C513	354791019	100 μ F, 100V, Elect.
C612, C613		
C514, C515	354791009	10 μ F, 100V, Elect.
C614, C615		
C702	354722219	220 μ F, 6.3V, Elect.
C703	354784799	0.47 μ F, 50V, Elect.
C704	354743319	330 μ F, 16V, Elect.
C706	354742209	22 μ F, 16V, Elect.
C751	354780109	1 μ F, 50V, Elect.
C903, C904	3504204	10000 μ F, 80V, Elect.
C912	354743319	330 μ F, 16V, Elect.
Resistors		
R505, R605	442521034F	10k Ω , 1/2W, Metal oxide film
R506, R507	4000076	0.22 Ω , 5W, Metal plate
R606, R607		
R508, R608	441521004F	10 Ω , 1/2W, Metal oxide film
R510, R511	442521014F	100 Ω , 1/2W, Metal oxide film
R610, R611		
R512~R514	4000076	0.22 Ω , 5W, Metal plate
R612~R614		
R710	442521834F	18k Ω , 1/2W, Metal oxide film
R990	442520154F	1.5 Ω , 1/2W, Metal oxide film
Relay		
RL701	25065275	NRL-2P5A-DC12-38
Terminals		
P101	25045211	NPJ-2PDBL91, Input
P501	25060093	NTM-8PDML34, Output
Bracket		
	27141059	Washer

SPEAKER SWITCH CIRCUIT PC BOARD (NASW-2863-1)-PARTS LIST

CIRCUIT NO.	PART NO.	DESCRIPTION
Switches		
S551, (S552)	25035549	NPS-262-L511

POWER SWITCH CIRCUIT PC BOARD (NASW-2864-1)-PARTS LIST

CIRCUIT NO.	PART NO.	DESCRIPTION
Capacitor		
C901	3500065A	0.01 μ F, AC400V/125V, IS
Switch		
S901	25035550	NPS-111-1512P
Fuse holders		
	250113	SN5051

PHONES CIRCUIT PC BOARD (NAAF-2865-1)-PARTS LIST

CIRCUIT NO.	PART NO.	DESCRIPTION
Resistors		
R551, R651	441623914	390 Ω , 1W, Metal oxide film
Jack		
P551	25045187	HLJ-0541-01-010

DISPLAY CIRCUIT PC BOARD (NADIS-2866-1)-PARTS LIST

CIRCUIT NO.	PART NO.	DESCRIPTION
Diodes		
D751~D756	225141	SEL2213C
D759		
D757, D758	225137CG or 225137DG or 225137DY	SEL2413ECG SEL2413EDG SEL2413EDY
Holder		
	27190510A	(LED)